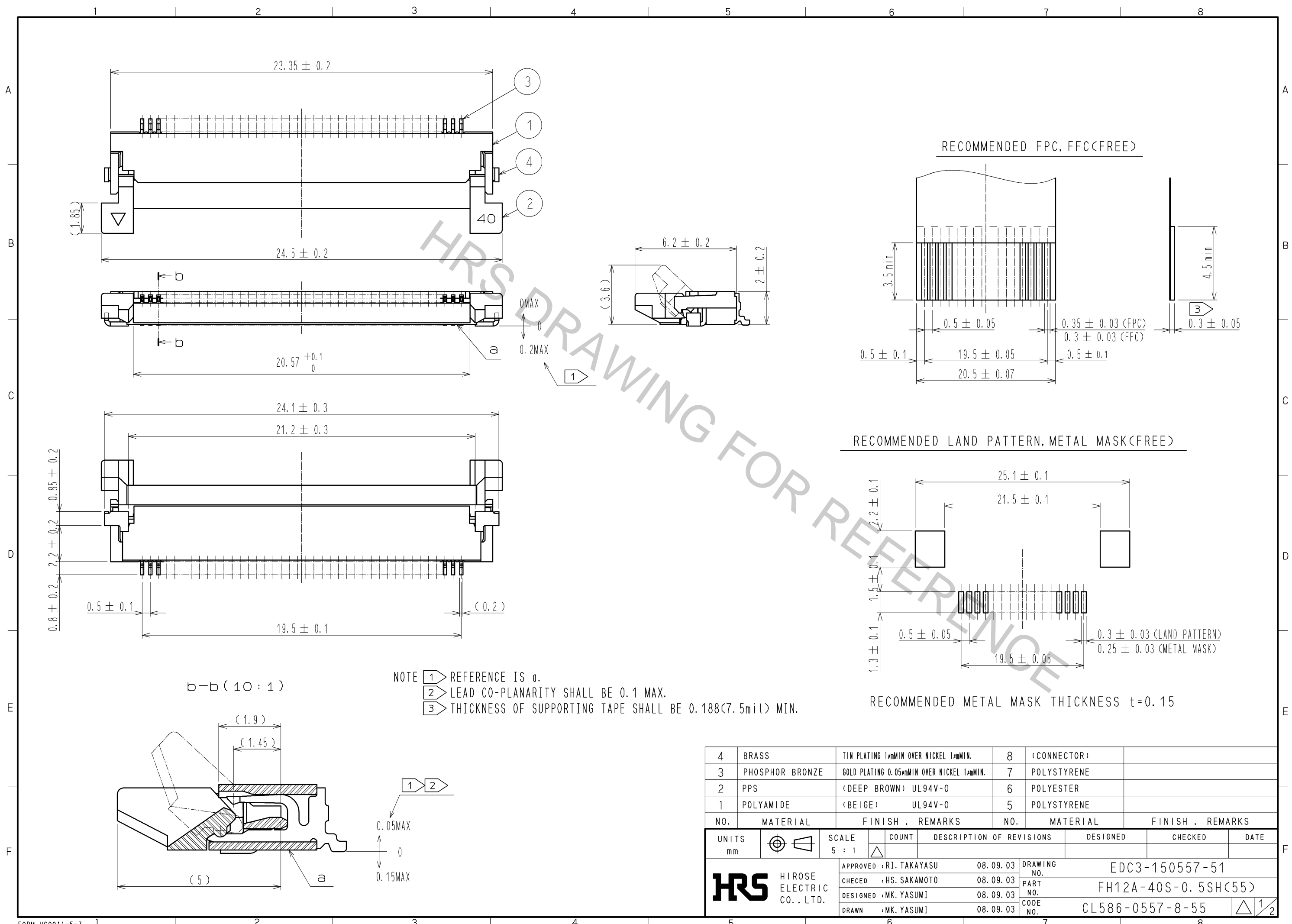
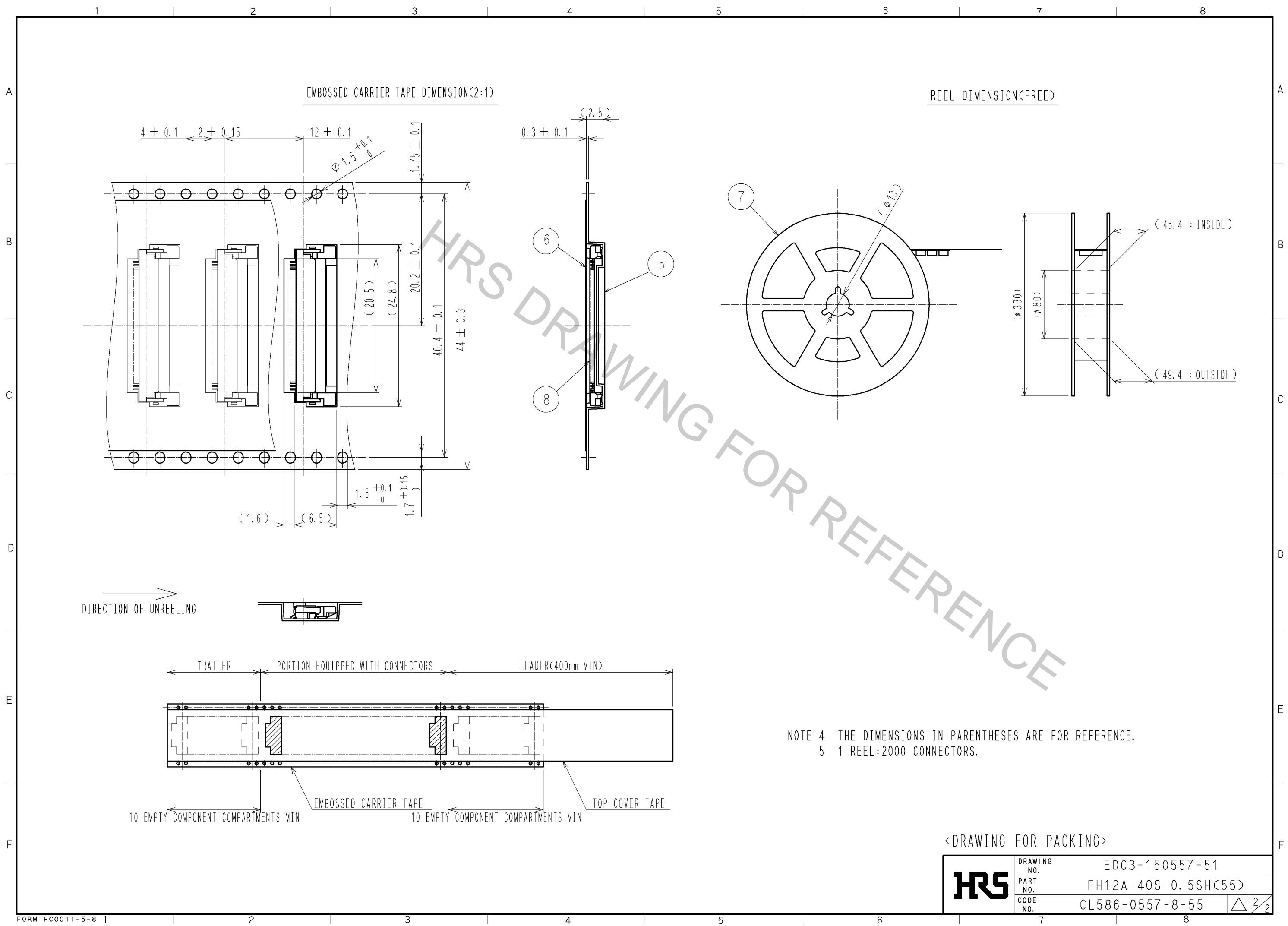


Apr.1.2017 Copyright 2017 HIROSE ELECTRIC CO., LTD. All Rights Reserved.



4	BRASS	TIN PLATING 1μMIN OVER NICKEL 1μMIN.	8	(CONNECTOR)				
3	PHOSPHOR BRONZE	GOLD PLATING 0.05μMIN OVER NICKEL 1μMIN.	7	POLYSTYRENE				
2	PPS	(DEEP BROWN) UL94V-0	6	POLYESTER				
1	POLYAMIDE	(BEIGE) UL94V-0	5	POLYSTYRENE				
NO.	MATERIAL	FINISH . REMARKS	NO.	MATERIAL	FINISH . REMARKS			
UNITS	mm	SCALE	5 : 1	COUNT	DESCRIPTION OF REVISIONS	DESIGNED	CHECKED	DATE
APPROVED : RI. TAKAYASU			08.09.03	DRAWING NO.		EDC3-150557-51		
CHECKED : HS. SAKAMOTO			08.09.03	PART NO.		FH12A-40S-0.5SH(55)		
DESIGNED : MK. YASUMI			08.09.03	CODE NO.		CL586-0557-8-55		
DRAWN : MK. YASUMI			08.09.03					



NOTE 4 THE DIMENSIONS IN PARENTHESES ARE FOR REFERENCE.
 5 1 REEL:2000 CONNECTORS.

<DRAWING FOR PACKING>

HRS	DRAWING NO.	EDC3-150557-51
	PART NO.	FH12A-40S-0.5SH(55)
	CODE NO.	CL586-0557-8-55
		△ 2/2