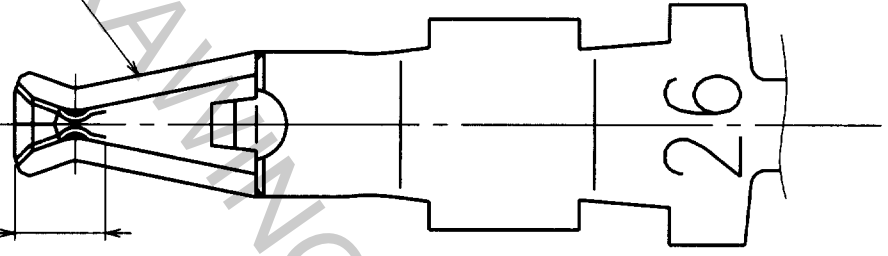
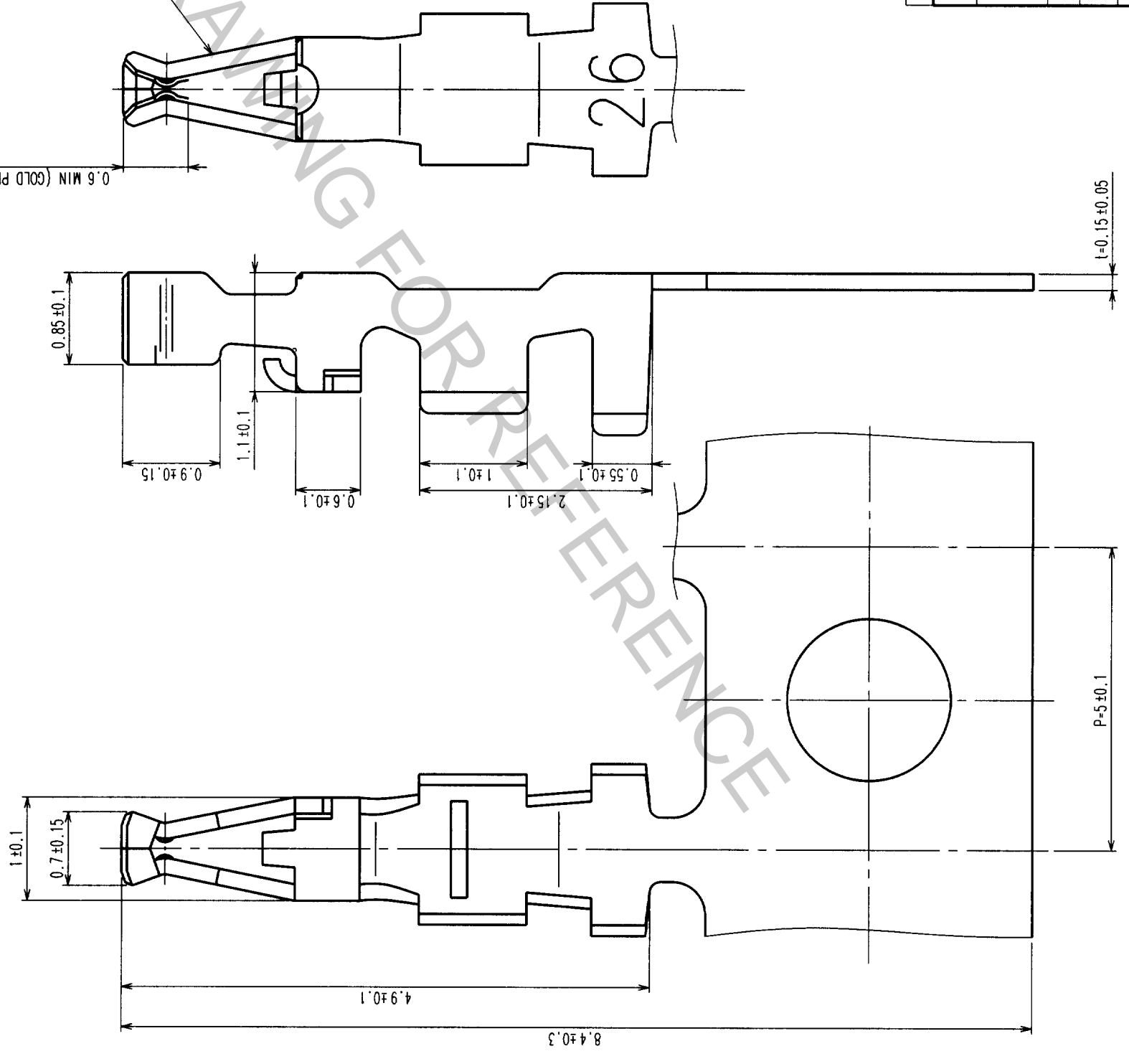
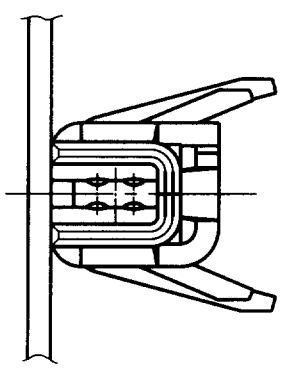


COUNT	DESCRIPTION OF REVISIONS	BY	CHKD	DATE	COUNT	DESCRIPTION OF REVISIONS	BY	CHKD	DATE
△					△				
△					△				
△					△				



NOTES1: APPLICABLE WIRE :26-28 AWG (UL1571)
 2: 1 REEL: 10000 CONTACTS

TO	

NO.	MATERIAL	FINISH, REMARKS	NO.	MATERIAL	FINISH, REMARKS		
					DESIGNED	CHECKED	APPROVED
1	PHOSPHOR BRONZE						CONTACT AREA: GOLD PLATING OUTER CRIMPING ZONE: TIN PLATING OTHERS: NICKEL PLATING
CODE NO. (OLD)		DRAWN		DESIGNED	CHECKED	APPROVED	RELEASED
		S. Hara		T. Yamamoto	C. Haranami	K. Katayama	
		'99. 8. 5		'99. 8. 5	'99. 08. 05	'99. 8. 5	
DRAWING NO.		PART NO.					
EDC3-160551		DF14-2628SCFA					
SCALE		UNITS					
20 : 1		mm					
HRS		HIROSE ELECTRIC CO., LTD					
CL538-0002-0		1/1					