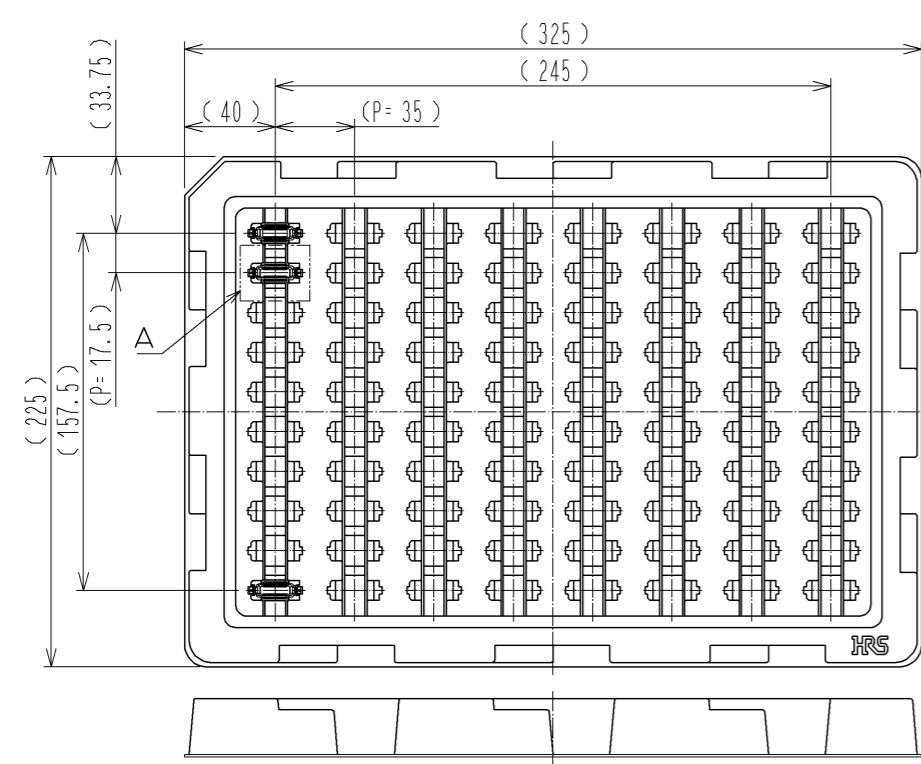
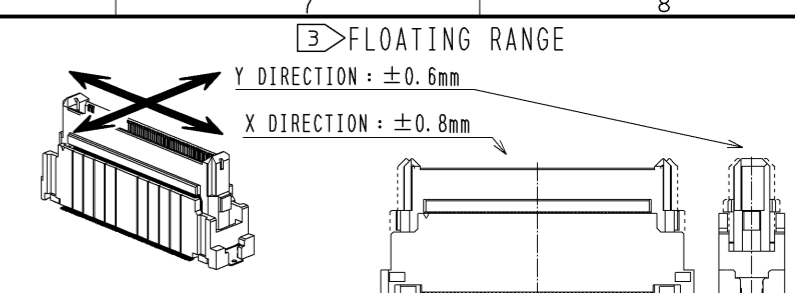
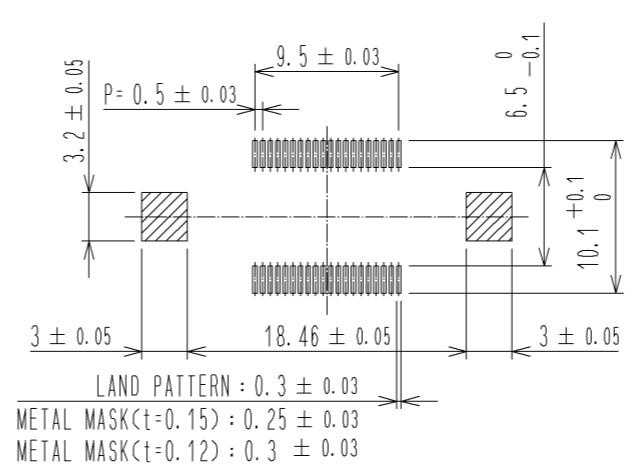


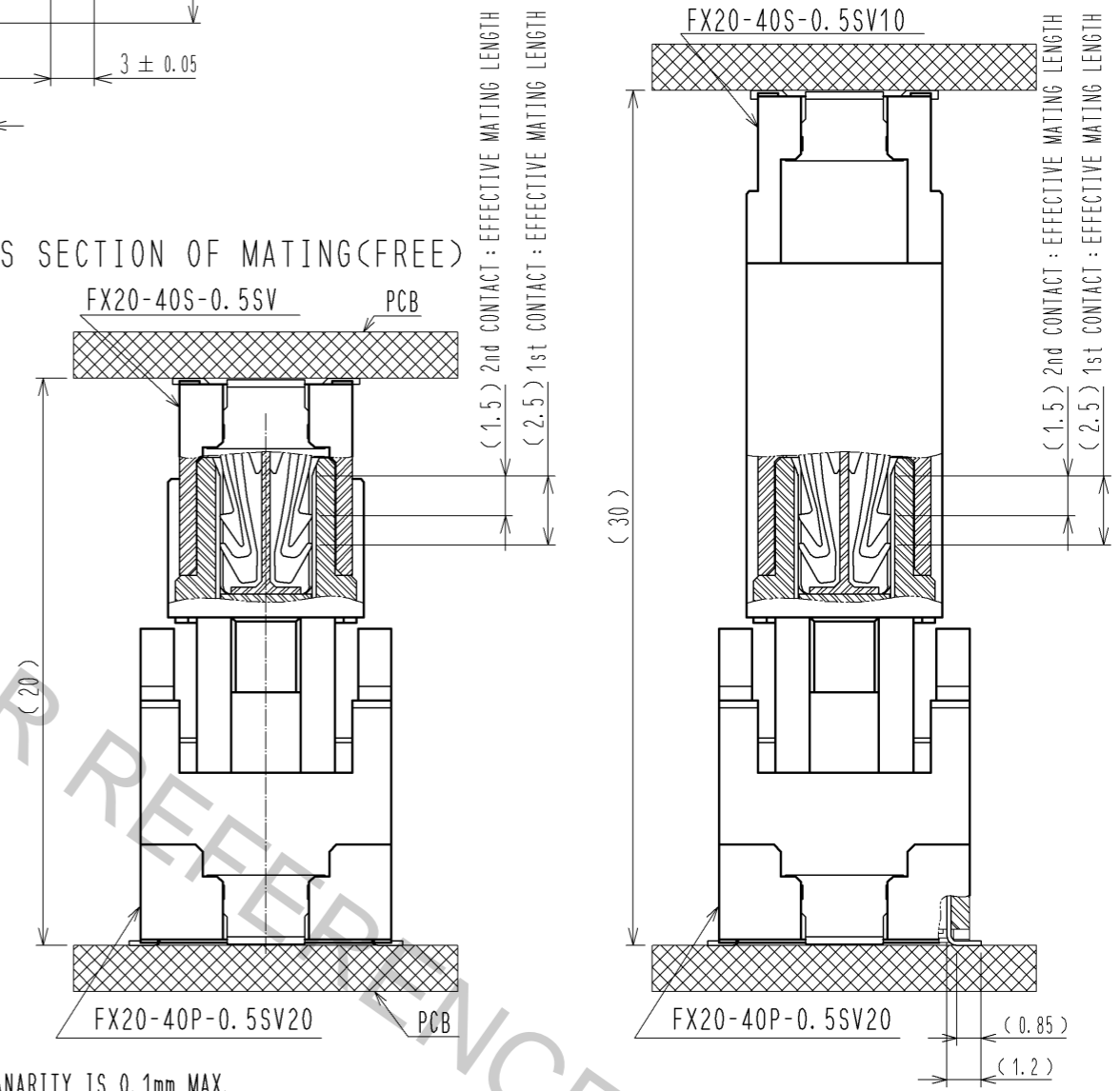
2 DRAWING FOR PACKING(FREE)



RECOMMENDED LAND PATTERN DIMENSION OF PCB

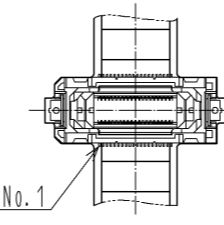


CROSS SECTION OF MATING(FREE)



- NOTE 1 LEAD CO-PLANARITY IS 0.1mm MAX.
 2 THIS IS PACKAGED IN TRAY. (80pcs/TRAY)
 3 FLOATING RANGE OF THIS CONNECTOR IS ±0.8mm MAX. IN THE X DIRECTION AND ±0.6mm MAX. IN THE Y DIRECTION.
 4 BLEMISH AND HIT MARK CAN BE OCCURED THROUGH OUT THE MANUFACTURING PROCESS WHICH DOESN' T AFFECT QUALITY LEVEL.
 5 PLEASE NOTE THAT EXCESSIVE WRENCHING FORCE COULD DAMAGE THIS CONNECTOR. PLEASE REFER TO THE GUIDELINE FOR DETAILED REGULATIONS OF THE MATING METHOD.
 6 THE DIMENSIONS IN PARENTHESES ARE FOR REFERENCES.

A (1 : 1)



2	POLYAMIDE	BLACK	UL94V-0	4	BRASS	TIN-PLATING 1 μm		
1	POLYAMIDE	BLACK	UL94V-0	3	COPPER ALLOY	CONTACT AREA:GOLD 0.1 μm LEAD AREA:GOLD 0.03 μm UNDER PLATING:NICKEL 1 μm		
NO.	MATERIAL	FINISH	REMARKS	NO.	MATERIAL	FINISH . REMARKS		
UNITS mm			SCALE 2 : 1	COUNT 	DESCRIPTION OF REVISIONS	DESIGNED	CHECKED	DATE
HRS HIROSE ELECTRIC CO., LTD.			APPROVED : HS. OKAWA	12.06.22	DRAWING NO.	EDC3-336325-00		
			CHECKED : KI. HIROKAWA	12.06.22	PART NO.	FX20-40P-0.5SV20		
			DESIGNED : KT. DOI	12.06.21	CODE NO.	CL570-1007-7-00		
			DRAWN : KT. DOI	12.06.21				